

Types 872-877



Front panel mounted

TECHNICAL DATA

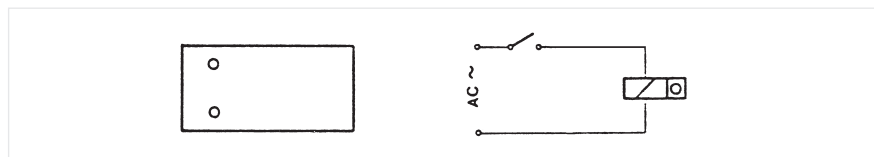
Totalizing Counters „Piccolo“

- Miniature size
- 4, 5, 6 or 7-digit display
- Connection with AMP plug
- With or without reset
- Simple attachment

| | |
|-----------------------------|---|
| Display | 4, 5, 6 or 7-digit, depending on version |
| Digit height | 4 mm |
| Supply voltage V_{Op} | according to order information table $\pm 10\%$, 230 VAC $+6-10\%$ * |
| Current consumption | DC versions 1.5 W; AC versions 2.5 VA |
| Operating temperature | - 10 ... + 50 °C |
| Storage temperature | - 20 ... + 85 °C |
| El. connection | AMP plug 0.8 x 2.8 mm |
| Mounting | Central or clamping spring attachment, depending on version |
| Protection class (EN 60529) | Typ 872/874/876/877 - front IP 40 |
| | Typ 873/875 - connections IP 00 - front IP 30 - connections IP 00 |
| General design | EN 61010-1, EN 50178 Protection class II Contamination class 2 Overvoltage category II |
| Noise emittance EMC | EN 50081-2 |
| Noise immunity EMC | EN 50082-2 |
| Duty cycle at 25 °C | 100 % |
| Maintenance-free operation | 10^7 pulses |
| Weight | approx. 80 g |
| Approvals | UL: E 41784-6 |
| Count input | adding |
| Pulse length min. | DC versions 25 ms, AC versions 50 ms |
| Counting frequency max. | DC versions 20 Hz, AC versions 10 Hz |
| Pulse duty factor | 1:1 |
| Reset | depending on version - manual with button - none |

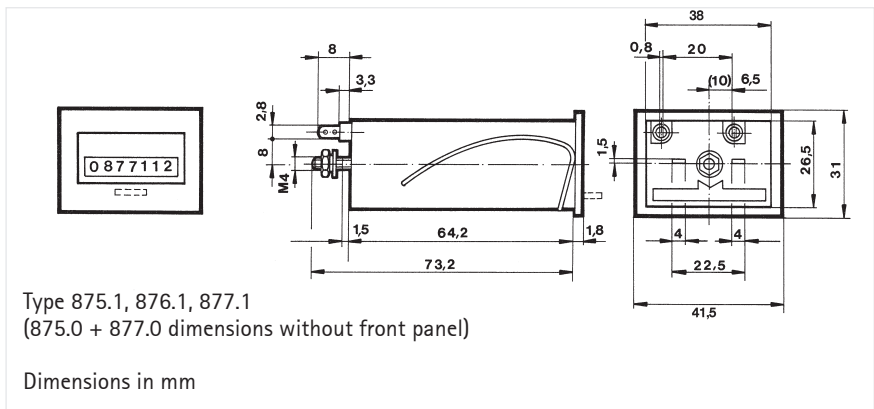
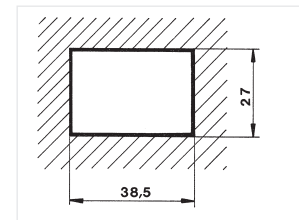
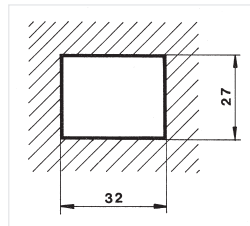
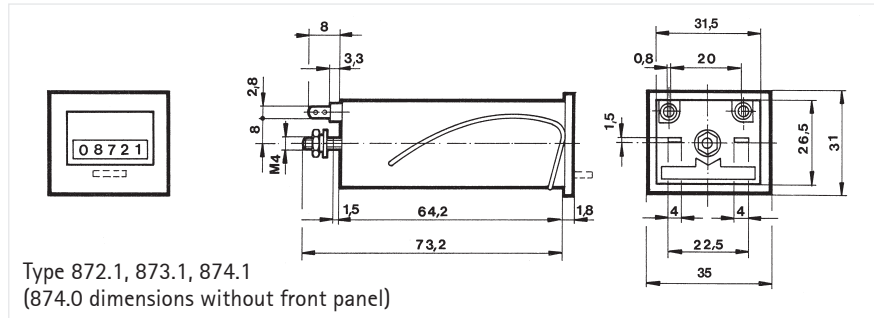
* Not to be connected to a DC-Network.

CONNECTION DIAGRAM



Technical data

DIMENSIONS



ORDER INFORMATION

Counters with front panel attachment

| Voltage | Ω |
|----------|------|
| 12 V DC | 120 |
| 24 V DC | 375 |
| 24 V AC | 190 |
| 110 V AC | 5000 |
| 230 V AC | 6000 |

| 4-digit without reset | with reset | 5-digit without reset | with reset | 6-digit without reset | 7-digit without reset |
|-----------------------|------------|-----------------------|------------|-----------------------|-----------------------|
| 0 872 106 | 0 873 106 | 0 874 106 | 0 875 106 | 0 876 106 | 0 877 106 |
| 0 872 107 | 0 873 107 | 0 874 107 | 0 875 107 | 0 876 107 | 0 877 107 |
| | 0 873 112 | | 0 875 112 | 0 876 112 | 0 877 112 |
| 0 872 113 | 0 873 113 | 0 874 113 | 0 875 113 | 0 876 113 | 0 877 113 |
| 0 872 114 | 0 873 114 | 0 874 114 | 0 875 114 | 0 876 114 | 0 877 114 |

Totalizing
Counters