

## TECHNICAL DATASHEET

### Absolute Encoder AC 58 - Parallel



- Interface Parallel
- Gray or Binary code
- Compact design
- Aids for start up and operation: diagnostic LED, preset key with optical response (only with MT), status information
- Output Tristate short circuit-proof
- Encoder monitoring
- Wide temperature range of: -40°C ... +100°C
- Large number of variants available

**ACURO**<sup>®</sup>  
industry



#### TECHNICAL DATA mechanical

Housing diameter	58 mm
Shaft diameter	Solid shaft: 6 mm / 8 mm / 9.52 mm (3/8 inch) Hub shaft: 9.52 mm (3/8 inch) / 10 mm / 12 mm Other sizes available upon request.
Mounting Flange	Synchro flange, Clamping flange, Tether flange, Square flange
Protection class shaft input (EN 60529)	IP64 or IP67
Protection class housing (EN 60529)	IP65 or IP67
Shaft load axial / radial	40 N / 60 N
Axial endplay of mating shaft (hub shaft only)	±1.5 mm
Radial runout of mating shaft (hub shaft only)	±0.2 mm
Max. speed	max. 10,000 rpm (continuous duty) max. 12,000 rpm (short term) (higher values available upon request)
Starting torque typ. <sup>1</sup>	≤ 0.01 Nm (lower values available upon request)
Moment of inertia	ca. 3,8 x 10 <sup>-6</sup> kgm <sup>2</sup>
Vibration resistance (DIN EN 60068-2-6)	100 m/s <sup>2</sup> (10 - 2000 Hz)
Shock resistance (DIN EN 60068-2-27)	1000 m/s <sup>2</sup> (6 ms)
Operating temperature	-40 °C ... +100°C
Storage temperature	-40 °C ... +85 °C
Material shaft	Stainless Steel
Material housing	Aluminium
Weight	ca. 350 g (ST) / 400 g (MT)
Connection	Cable, axial or radial M23 connector (Conin), 17 pole, axial or radial Sub-D connector, 37 pole

<sup>1</sup> at 20 °C

Specifications subject to change without notice.

Datasheet	© Hengstler GmbH Umlandstr. 49 D-78554 Aldingen/ Germany ☎ +49 74 24 - 89 0 Fax +49 74 24 - 89 500 E-mail: info@hengstler.com Internet: www.hengstler.com	Page
Version 3 070723 TK		1/11

**TECHNICAL DATASHEET**

**Absolute Encoder AC 58 - Parallel**

**TECHNICAL DATA  
electrical**

General design	As per DIN EN 61010-1, protection class III, contamination level 2, overvoltage class II
Supply voltage	DC 10 - 30 V On request: DC 5 V
Max. current w/o load	200 mA (ST), 300 mA (MT)
Resolution singleturn	10 - 14 Bit Gray Excess: 360, 720 increments
Resolution multiturn	12 Bit
Output code	Binary, Gray, Gray Excess
Linearity	±½ LSB
Output current	30 mA per Bit, short-circuit-proof
Control inputs	Latch, Direction, Tristate with ST, Tristate with MT
Alarm output	NPN-O.C., max. 5 mA
Status LED	Green = ok, Red = Alarm

**Data output level**

Supply voltage U <sub>B</sub>	DC 5 V - 5 % +10 % <sup>1)</sup>	DC 10 - 30 V
Output level High	≥ 3,5 V (30 mA) ≥ 3,9 V (10 mA)	≥ U <sub>B</sub> - 2,2 V (30 mA) ≥ U <sub>B</sub> - 1,8 V (10 mA)
Output level Low	≤ 1,6 V (30 mA) ≤ 1,2 V (10 mA)	≤ 1,6 V (30 mA) ≤ 1,2 V (10 mA)
Rise time (1,5 m Cable)	≤ 0,1 µs	≤ 0,2 µs
Drop time (1,5 m Cable)	≤ 0,05 µs	≤ 0,1 µs

<sup>1)</sup> on request

**Control inputs**

Input	Level logical (physical)	Function
Direction	1 (+ U <sub>B</sub> or open) 0 (0 V)	ascending code values when turning clockwise (cw) descending code values when turning clockwise (cw)
Latch	1 (+ U <sub>B</sub> or open) 0 (0 V)	encoder data continuously changing at output encoder data stored and constant at output
Tristate (with singleturn)	1 (+ U <sub>B</sub> or open) 0 (0 V)	outputs active outputs at high impedance (Tristate mode)
Tristate (with multiturn)	1 (+ U <sub>B</sub> ) 0 (0 V or open)	outputs at high impedance (Tristate mode) outputs active

Typical actuating delay time 10 µs with push-pull selection; when selected via O.C., an external pull-down resistor (1 KΩ) is required

Specifications subject to change without notice.

## TECHNICAL DATASHEET

### Absolute Encoder AC 58 - Parallel

#### ELECTRICAL CONNECTIONS Singleturn, cable

Colour (PVC)	9 Bit / 360 incr.	10 Bit / 720 incr.	12 Bit	13 Bit	14 Bit
grey/pink	N.C.	N.C.	N.C.	N.C.	S0 (LSB)
brown/yellow	N.C.	N.C.	N.C.	S0 (LSB)	S1
brown/grey	N.C.	N.C.	S0 (LSB)	S1	S2
red/blue	N.C.	N.C.	S1	S2	S3
violet	N.C.	S0 (LSB)	S2	S3	S4
white/brown	S0 (LSB)	S1	S3	S4	S5
white/green	S1	S2	S4	S5	S6
white/yellow	S2	S3	S5	S6	S7
white/grey	S3	S4	S6	S7	S8
white/pink	S4	S5	S7	S8	S9
white/blue	S5	S6	S8	S9	S10
white/red	S6	S7	S9	S10	S11
white/black	S7	S8	S10	S11	S12
brown/green	S8 (MSB)	S9 (MSB)	S11 (MSB)	S12 (MSB)	S13 (MSB)
yellow	$\overline{\text{Tristate}} S0...S8$	$\overline{\text{Tristate}} S0...S9$	$\overline{\text{Tristate}} S0...S11$	$\overline{\text{Tristate}} S0...S12$	$\overline{\text{Tristate}} S0...S13$
pink	$\overline{\text{Latch}}$	$\overline{\text{Latch}}$	$\overline{\text{Latch}}$	$\overline{\text{Latch}}$	$\overline{\text{Latch}}$
green	$\overline{\text{Direction}}$	$\overline{\text{Direction}}$	$\overline{\text{Direction}}$	$\overline{\text{Direction}}$	$\overline{\text{Direction}}$
black	0 V	0 V	0 V	0 V	0 V
red	DC 5 V / 10-30 V	DC 5 V / 10-30 V	DC 5 V / 10-30 V	DC 5 V / 10-30 V	DC 5 V / 10-30 V
brown	$\overline{\text{Alarm}}$	$\overline{\text{Alarm}}$	$\overline{\text{Alarm}}$	$\overline{\text{Alarm}}$	$\overline{\text{Alarm}}$

#### ELECTRICAL CONNECTIONS Singleturn, M23 connector (Conin), 17 pole

PIN	9 Bit / 360 incr.	10 Bit / 720 incr.	12 Bit	13 Bit	14 Bit
1	S0 (LSB)	S0 (LSB)	S0 (LSB)	S0 (LSB)	S0 (LSB)
2	S1	S1	S1	S1	S1
3	S2	S2	S2	S2	S2
4	S3	S3	S3	S3	S3
5	S4	S4	S4	S4	S4
6	S5	S5	S5	S5	S5
7	S6	S6	S6	S6	S6
8	S7	S7	S7	S7	S7
9	S8 (MSB)	S8	S8	S8	S8
10	N.C.	S9 (MSB)	S9	S9	S9
11	N.C.	N.C.	S10	S10	S10
12	$\overline{\text{Tristate}} S0...S8$	$\overline{\text{Tristate}} S0...S9$	S11 (MSB)	S11	S11
13	$\overline{\text{Latch}}$	$\overline{\text{Latch}}$	$\overline{\text{Latch}}$	S12 (MSB)	S12
14	$\overline{\text{Direction}}$	$\overline{\text{Direction}}$	$\overline{\text{Direction}}$	$\overline{\text{Direction}}$	S13 (MSB)
15	0 V	0 V	0 V	0 V	0 V
16	DC 5 V / 10-30 V	DC 5 V / 10-30 V	DC 5 V / 10-30 V	DC 5 V / 10-30 V	DC 5 V / 10-30 V
17	$\overline{\text{Alarm}}$	$\overline{\text{Alarm}}$	$\overline{\text{Alarm}}$	$\overline{\text{Latch}} / \overline{\text{Alarm}}$	$\overline{\text{Latch}} / \overline{\text{Alarm}}$

Specifications subject to change without notice.

Datasheet	© Hengstler GmbH Umlandstr. 49 D-78554 Aldingen/ Germany ☎ +49 74 24 - 89 0 Fax +49 74 24 - 89 500 E-mail: info@hengstler.com Internet: www.hengstler.com	Page
Version 3 070723 TK		3/11

## TECHNICAL DATASHEET

### Absolute Encoder AC 58 - Parallel

ANSCHLUSSBELEGUNG  
Multiturn, Kabel

Cable (TPE)	10 cm cable with Sub-D connector, 37 pole		Kabel (TPE)	10 cm cable with Sub-D connector, 37 pole	
Colour	Pin	Connection	Colour	Pin	Connection
brown	2	S0	white/blue	14	M4 <sup>1)</sup>
green	21	S1	brown/blue	33	M5 <sup>1)</sup>
yellow	3	S2	white/red	15	M6 <sup>1)</sup>
grey	22	S3	brown/red	34	M7 <sup>1)</sup>
pink	4	S4	white/black	16	M8 <sup>2)</sup>
violet	23	S5	brown/black	35	M9 <sup>2)</sup>
grey/pink	5	S6	grey/green	17	M10 <sup>2)</sup>
red/blue	24	S7	yellow/grey	38	M11 <sup>2)</sup>
white/green	6	S8	pink/green	18	Alarm
brown/green	25	S9	yellow/pink	10	Direction
white/yellow	7	S10	green/blue	30	Latch
yellow/brown	26	S11	yellow/blue	12	Tristate
white/grey	8	M0	red (0.5mm <sup>2</sup> )	13	DC 10-30 V
grey/brown	27	M1	white (0.5mm <sup>2</sup> )	31	DC 10-30 V
white/pink	9	M2	blue (0.5mm <sup>2</sup> )	1	0 V
pink/brown	28	M3	black (0.5mm <sup>2</sup> )	20	0 V

<sup>1)</sup> N.C. with resolution 16 Bit (4 Bit MT)

<sup>2)</sup> N.C. with resolution 16 Bit or 20 Bit (4 or 8 Bit MT)

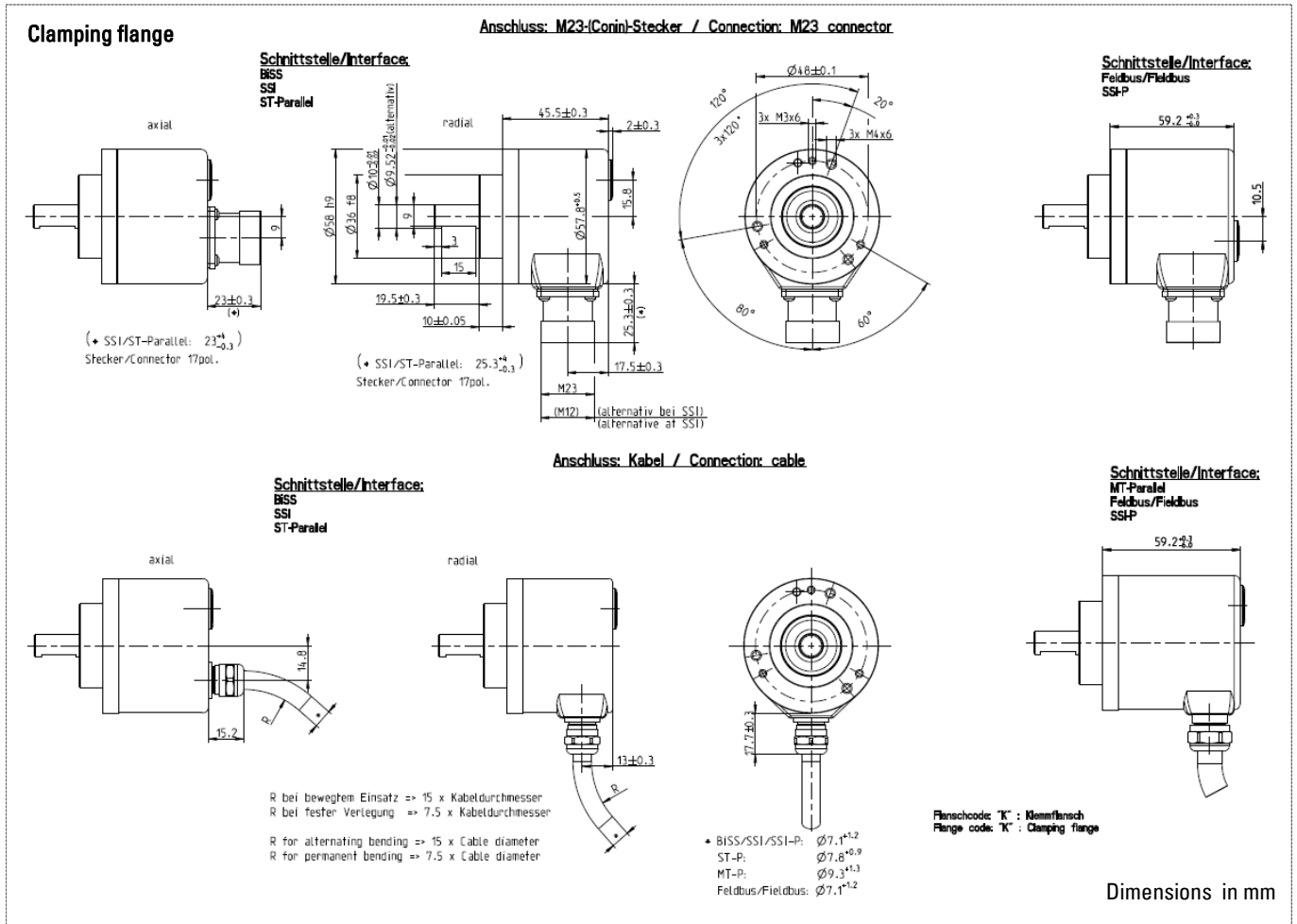
Specifications subject to change without notice.

Datasheet	© Hengstler GmbH Umlandstr. 49 D-78554 Aldingen/ Germany ☎ +49 74 24 - 89 0 Fax +49 74 24 - 89 500 E-mail: info@hengstler.com Internet: www.hengstler.com	Page
Version 3 070723 TK		4/11

## TECHNICAL DATASHEET

### Absolute Encoder AC 58 - Parallel

#### DIMENSIONED DRAWINGS

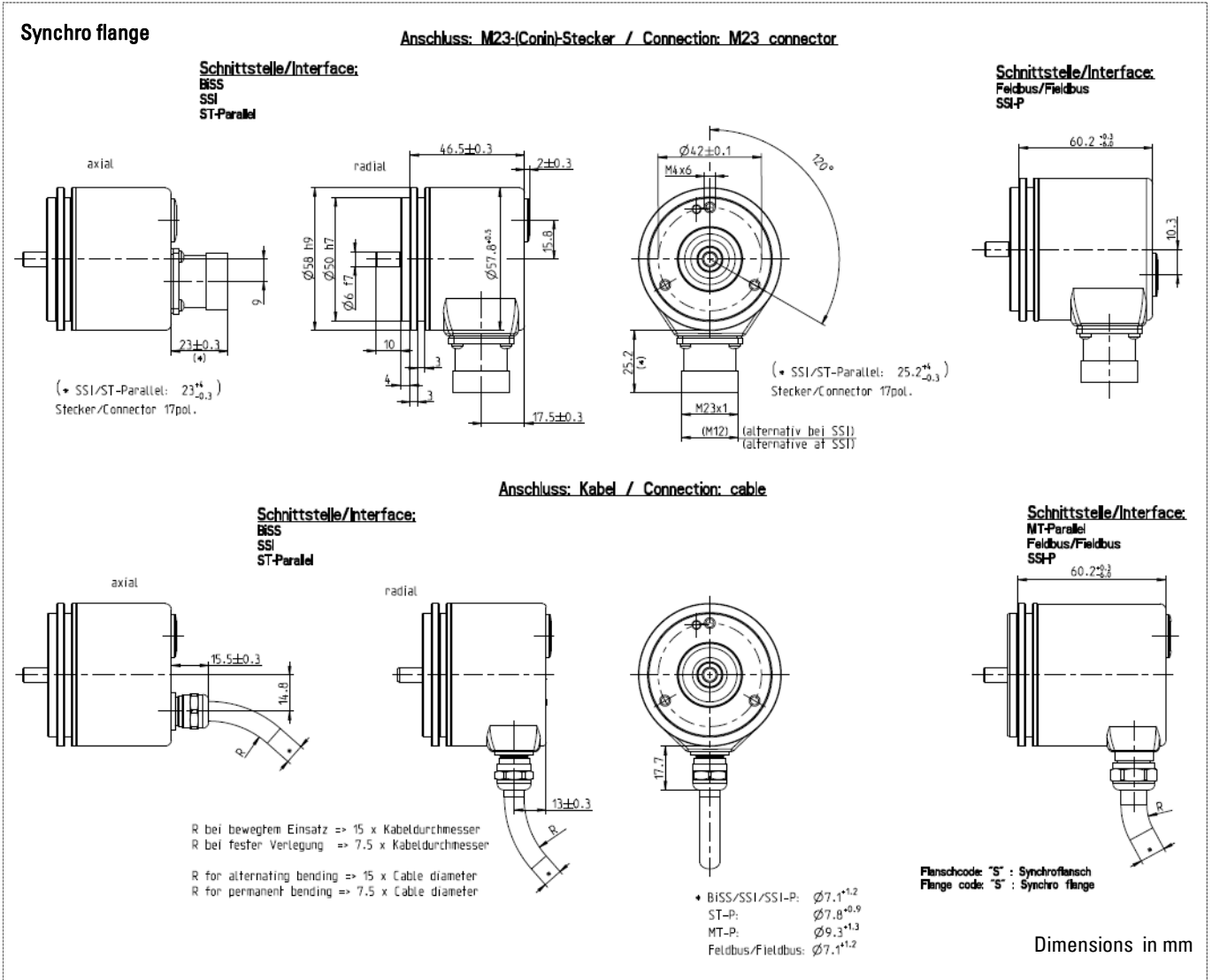


Specifications subject to change without notice.

## TECHNICAL DATASHEET

### Absolute Encoder AC 58 - Parallel

#### DIMENSIONED DRAWINGS (continued)



Specifications subject to change without notice.

Datasheet	© Hengstler GmbH Umlandstr. 49 D-78554 Aldingen/ Germany ☎ +49 74 24 - 89 0 Fax +49 74 24 - 89 500	Page
Version 3 070723 TK	E-mail: info@hengstler.com Internet: www.hengstler.com	6/11

## TECHNICAL DATASHEET

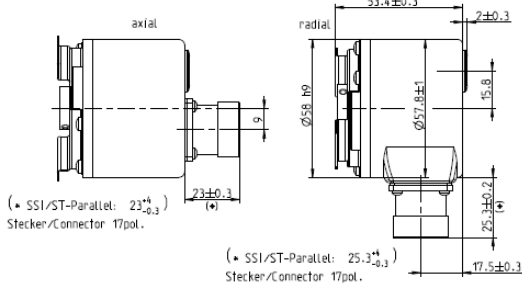
### Absolute Encoder AC 58 - Parallel

#### DIMENSIONED DRAWINGS (continued)

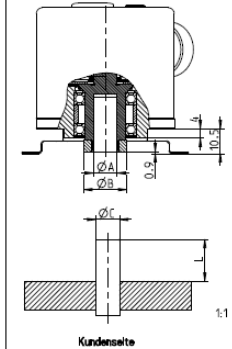
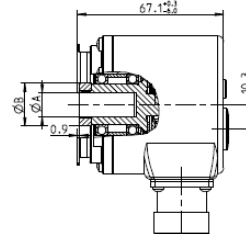
#### Hub shaft „F“

Anschluss: M23/Conin-Stecker / Connection: M23 connector

Schnittstelle/Interface:  
BISS  
SSI  
ST-Parallel

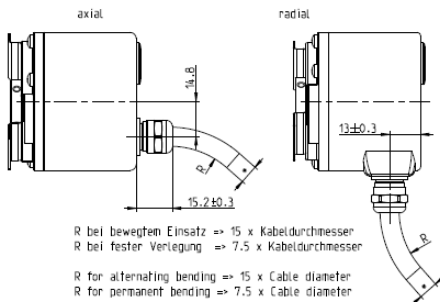


Schnittstelle/Interface:  
Feldbus/Fieldbus  
SSI-P

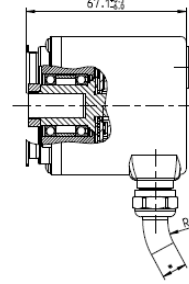


Schnittstelle/Interface:  
BISS  
SSI  
ST-Parallel

Anschluss: Kabel / Connection: cable



Schnittstelle/Interface:  
MT-Parallel  
Feldbus/Fieldbus  
SSI-P



	Mass / dimension					Einh./unit
Hohlwellen-ØA/ hollow shaft-ØA	10 <sup>+0.012</sup>	12 <sup>+0.012</sup>	16 <sup>+0.012</sup>	20 <sup>+0.012</sup>	25 <sup>+0.012</sup>	mm
Anschlusswellen-ØC/ connecting shaft-ØC	10 <sub>p</sub>	12 <sub>p</sub>	16 <sub>p</sub>	20 <sub>p</sub>	25 <sub>p</sub>	mm
Klemmring-ØB/ clamping ring-ØB	18	20	18	22	22	mm
L min.	15	16	15	16	16	mm
L max.	20	20	20	20	20	mm
Wellen-Code / shaft code	"2"	"7"	"6"	"E"	"9"	mm

\* BISS/SSI/SSI-P: Ø7.1<sup>+1.2</sup>  
ST-P: Ø7.8<sup>+0.9</sup>  
MT-P: Ø9.3<sup>+1.3</sup>  
Feldbus/Fieldbus: Ø7.1<sup>+1.2</sup>

L = Eintauchtiefe der Anschlusswelle in den Geber  
L = Length of customers shaft inside of encoder

Flanschcode: "F" : Sack-Hohlwelle  
Flange code: "F" : Hollow shaft

Dimensions in mm

Specifications subject to change without notice.

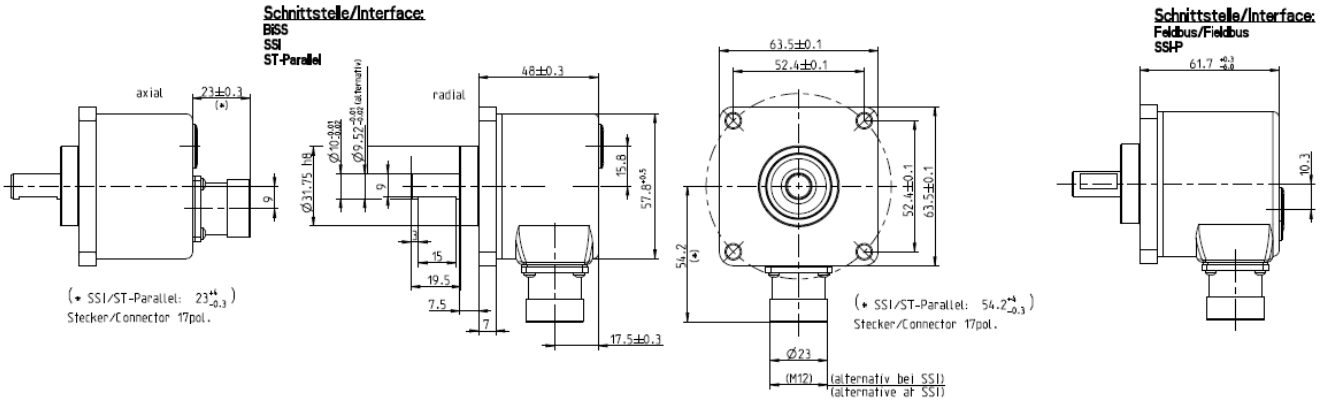
## TECHNICAL DATASHEET

### Absolute Encoder AC 58 - Parallel

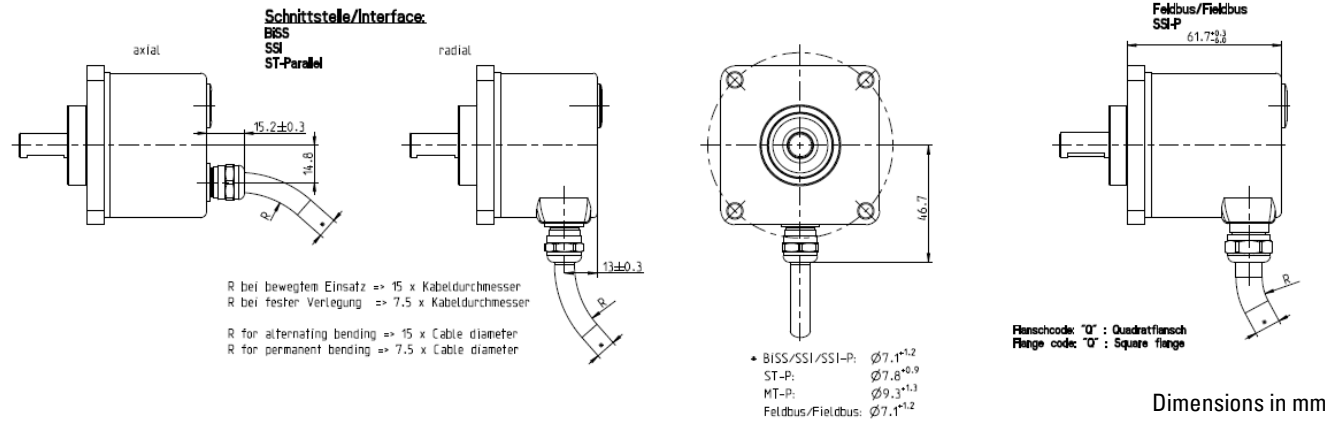
#### DIMENSIONED DRAWINGS (continued)

#### Square flange „Q“

Anschluss: M23-Conn-Stecker / Connection: M23 connector



Anschluss: Kabel / Connection: cable



Specifications subject to change without notice.

Datasheet	© Hengstler GmbH Umlandstr. 49 D-78554 Aldingen/ Germany ☎ +49 74 24 - 89 0 Fax +49 74 24 - 89 500	Page
Version 3 070723 TK	E-mail: info@hengstler.com Internet: www.hengstler.com	8/11



**TECHNICAL DATASHEET**

**Absolute Encoder AC 58 - Parallel**

**ORDERING INFORMATION**  
Parallel

Type	Resolution <sup>1,2</sup>	Supply Voltage	Flange, Protection, Shaft <sup>3,7,8</sup>	Interface	Connection <sup>4,5,6</sup>
<input type="checkbox"/>	<input type="checkbox"/>	<input type="checkbox"/>	<input type="checkbox"/>	<input type="checkbox"/>	<input type="checkbox"/>
<b>AC58</b>	<b>0010</b> 10 Bit ST <b>0012</b> 12 Bit ST <b>0013</b> 13 Bit ST <b>0014</b> 14 Bit ST <b>0360</b> 360 Increments ST <b>0720</b> 720 Increments ST  <b>0412</b> 4 Bit MT + 12 Bit ST <b>0812</b> 8 Bit MT + 12 Bit ST <b>1212</b> 12 Bit MT + 12 Bit ST	E DC 10 - 30 V	<b>S.41</b> Synchro, IP65 <sup>8</sup> , 6 mm <b>S.71</b> Synchro, IP67, 6 mm <b>K.42</b> Klemm, IP65 <sup>8</sup> , 10 mm <b>K.46</b> Clamping, IP65 <sup>8</sup> , 9,52 mm <b>K.72</b> Clamping, IP67, 10 mm <b>K.76</b> Clamping, IP67, 9,52 mm  <b>F.42</b> Spring tether, IP65 <sup>1</sup> , hub shaft 10 mm, mounting with front clamping ring <b>F.46</b> Spring tether, IP65 <sup>1</sup> , hub shaft 9.52 mm, mounting with front clamping ring <b>F.47</b> Spring tether, IP65 <sup>1</sup> , hub shaft 12 mm, mounting with front clamping ring  <b>Q.42</b> Square, IP65 <sup>1</sup> , 10 mm <b>Q.46</b> Square, IP65 <sup>1</sup> , 9.52 mm <b>Q.72</b> Square, IP67, 10 mm <b>Q.76</b> Square, IP67, 9.52 mm	<b>PB</b> Parallel Binary <b>PG</b> Parallel Gray	<b>A</b> Cable, axial <b>B</b> Cable, radial  <b>U</b> M23 Connector (Conin), 17 pole, axial, ccw <b>V</b> M23 Connector (Conin), 17 pole, radial, ccw  <b>W</b> M23 Connector (Conin), 17 pole, axial, cw <b>Y</b> M23 Connector (Conin), 17 pole, radial, cw  <b>A-A1-F</b> 0,1 m cable with Sub-D connector, 37 pole axial <b>B-B1-F</b> 0,1 m cable with Sub-D connector, 37 pole radial

<sup>1</sup> Resolution 360 increments ST with Offset 76 (value range 76...435)  
<sup>2</sup> Resolution 720 increments ST with Offset 152 (value range 152...871)  
<sup>3</sup> Protection class IP67 not available in combination with preset key and LED display  
<sup>4</sup> Connection code "A", "B" (cable): ST and MT  
<sup>5</sup> Connection code "U", "V", "W", "Y" (M23 connector): only ST  
<sup>6</sup> Connection code "A-A1-F" and "B-B1-F" (Sub-D connector): only MT  
<sup>7</sup> IP67 on cover with connector only if IP67 mating connector mounted properly  
<sup>8</sup> Protection class shaft input IP64 (according to EN 60529)

Preferably available versions are printed in bold type

**ORDERING INFORMATION**  
Selection of cable length

Versions with cable outlet (connection A, B, E or F) are available with various lengths of cable. To order your desired cable length, please add the respective code to the end of your ordering code. For variants with connector on cable end please add cable length code in between. Further cable lengths on request.

Code	Cable length
without Code	1.5 m
-D0	3 m
-F0	5 m
-K0	10 m
-P0	15 m
-U0	20 m
-V0	25 m

Example:  
 Cable 3 m length: ... B - D0  
 Cable 3 m length and M23 connector, cw: ... B - D0 - I

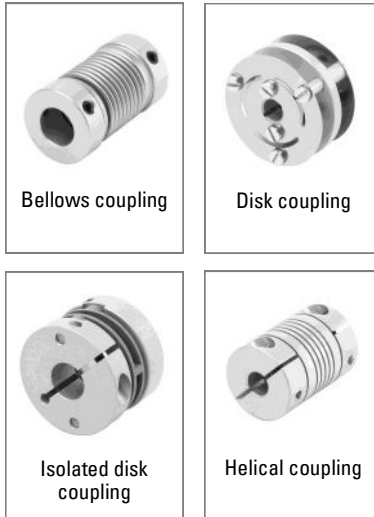
Specifications subject to change without notice.

## TECHNICAL DATASHEET

### Absolute Encoder AC 58 - Parallel

#### Accessories

#### FLEXIBLE COUPLINGS

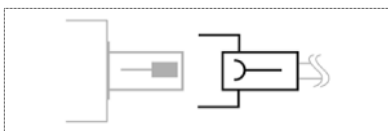


#### MOUNTING

	Hub diameter d1/d2	Ordering code
Bellows coupling	6 mm / 6 mm	3 520 068
Bellows coupling	8 mm / 10 mm	3 520 077
Bellows coupling	10 mm / 10 mm	3 520 037
Disk coupling	6 mm / 6 mm	0 070 663
Isolated disk coupling	6 mm / 6 mm	3 520 081
Isolated disk coupling	6 mm / 10 mm	3 520 082
Isolated disk coupling	10 mm / 10 mm	3 520 088
Helical coupling 19/28	5 mm / 6 mm	3 520 035
Helical coupling 19/28	6 mm / 6 mm	0 070 653
Helical coupling 25/32	6 mm / 9.53 mm	3 520 052
Helical coupling 25/32	6 mm / 10 mm	3 520 066
Helical coupling 25/32	10 mm / 10 mm	3 520 074
Helical coupling 25/32	10 mm / 12 mm	3 520 065

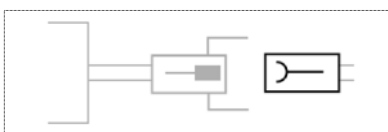
	Ordering code
Clamping eccentric, for M4 (set of three)	1 522 300
Right angle mounting bracket (plastic), for clamping flange RI 58, AC 58 (fastening material included)	1 522 329
Tether for hub shaft versions	1 531 188
Mounting bell (plastic), for synchro flange RI 58, AC 58 ( clamping eccentric and fastening material included)	1 522 330
Square flange adapter 58 x 58 mm, for clamping flange RI 58, AC 58 (fastening material included)	1 522 326
Square flange adapter 80 x 80 mm, for clamping flange RI 58, AC 58 (fastening material included)	1 522 327
Synchro flange adapter , for clamping flange RI 58, AC 58 (fastening material included)	1 522 328
Clamping eccentric for synchro flange, d6,5 for M3 (set of three)	0 070 655

#### CONNECTORS



Connector (socket) matching with encoder connector	Ordering code
M23 (Conin), 17 pole, PG9, ccw, mating connector for connection U/V Singleturn	3 539 256
M23 (Conin), 17 pole, PG9, cw, mating connector for connection W/Y Singleturn	3 539 254

#### CONNECTORS



Coupling (socket) matching with encoder cable with connector	Ordering code
SUB-D, 37 pole, mating connector for connection -F (cable plug 1 542 045) Multiturn	1 542 024

Specifications subject to change without notice.

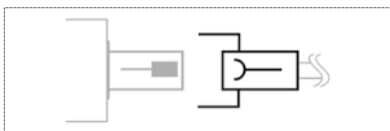
**TECHNICAL DATASHEET**

**Absolute Encoder AC 58 - Parallel  
Accessories**

**CONNECTING CABLES**

Connecting cables with plug (socket) on one end	Ordering code
M23 (Conin), 17 pole, PVC cable (Singleturn 12 Bit assignment!), cw, mating connector for connection W/Y, 3 m	1 540 100
M23 (Conin), 17 pole, PVC cable (Singleturn 12 Bit assignment!), cw, mating connector for connection W/Y, 5 m	1 540 101
M23 (Conin), 17 pole, PVC cable (Singleturn 12 Bit assignment!), cw, mating connector for connection W/Y, 10 m	1 540 102
M23 (Conin), 17 pole, PVC cable (Singleturn 12 Bit assignment!), cw, mating connector for connection W/Y, 15 m	1 540 142
M23 (Conin), 17 pole, PVC cable (Singleturn 12 Bit assignment!), cw, mating connector for connection W/Y, 20 m	1 540 143
M23 (Conin), 17 pole, PVC cable (Singleturn 12 Bit assignment!), cw, mating connector for connection W/Y, 25 m	1 540 144
M23 (Conin), 17 pole, PVC cable (Singleturn 12 Bit assignment!), cw, mating connector for connection W/Y, 30 m	1 540 145
M23 (Conin), 17 pole, PVC cable (Singleturn 12 Bit assignment!), cw, mating connector for connection W/Y, 40 m	1 540 205
M23 (Conin), 17 pole, PVC cable (Singleturn 12 Bit assignment!), cw, mating connector for connection W/Y, 50 m	1 540 206
M23 (Conin), 17 pole, PVC cable (Singleturn 12 Bit assignment!), ccw, mating connector for connection U/V, 3 m	1 540 097
M23 (Conin), 17 pole, PVC cable (Singleturn 12 Bit assignment!), ccw, mating connector for connection U/V, 5 m	1 540 098
M23 (Conin), 17 pole, PVC cable (Singleturn 12 Bit assignment!), ccw, mating connector for connection U/V, 10 m	1 540 099
M23 (Conin), 17 pole, PVC cable (Singleturn 12 Bit assignment!), ccw, mating connector for connection U/V, 15 m	1 540 138
M23 (Conin), 17 pole, PVC cable (Singleturn 12 Bit assignment!), ccw, mating connector for connection U/V, 20 m	1 540 139
M23 (Conin), 17 pole, PVC cable (Singleturn 12 Bit assignment!), ccw, mating connector for connection U/V, 25 m	1 540 140
M23 (Conin), 17 pole, PVC cable (Singleturn 12 Bit assignment!), ccw, mating connector for connection U/V, 30 m	1 540 141
M23 (Conin), 17 pole, PVC cable (Singleturn 12 Bit assignment!), ccw, mating connector for connection U/V, 40 m	1 540 207
M23 (Conin), 17 pole, PVC cable (Singleturn 12 Bit assignment!), ccw, mating connector for connection U/V, 50 m	1 540 208
SUB-D, 37 pole, TPE cable, mating connector for connection -F (cable plug), 1 m	1 542 163
SUB-D, 37 pole, TPE cable, mating connector for connection -F (cable plug), 3 m	1 542 020
SUB-D, 37 pole, TPE cable, mating connector for connection -F (cable plug), 5 m	1 542 021
SUB-D, 37 pole, TPE cable, mating connector for connection -F (cable plug), 10 m	1 542 022
SUB-D, 37 pole, TPE cable, mating connector for connection -F (cable plug), 15 m	1 542 172
SUB-D, 37 pole, TPE cable, mating connector for connection -F (cable plug), 20 m	1 542 173
SUB-D, 37 pole, TPE cable, mating connector for connection -F (cable plug), 25 m	1 542 174
SUB-D, 37 pole, TPE cable, mating connector for connection -F (cable plug), 30 m	1 542 175
SUB-D, 37 pole, TPE cable, mating connector for connection -F (cable plug), 40 m	1 542 176
SUB-D, 37 pole, TPE cable, mating connector for connection -F (cable plug), 50 m	1 542 177

**CONNECTING CABLE**



Cable not made up with connectors	Ordering code
PVC cable, 20-core + screen	3 280 100 + length
TPE cable, 32-core + screen	3 280 221 + length

Specifications subject to change without notice.

Datasheet	© Hengstler GmbH Umlandstr. 49 D-78554 Aldingen/ Germany ☎+49 74 24 - 89 0 Fax +49 74 24 - 89 500	Page
Version 3 070723 TK	E-mail: info@hengstler.com Internet: www.hengstler.com	11/11